

# Conventional Indicating Heat Detector

## with 'Remote LED' Output (V Series)

### Head Office

#### Wellington

PO Box 35-063  
Naenae, 5011  
Lower Hutt  
17 Eastern Hutt Rd  
Wingate  
Lower Hutt 5019  
Tel (04) 567-3229  
Fax (04) 567-3644

www.pertronic.co.nz

sales@pertronic.co.nz  
tech@pertronic.co.nz

#### Auckland Office

PO Box 15-867  
New Lynn  
Auckland 0640  
359 Onehunga Mall  
Onehunga  
Auckland 1061  
Tel (09) 633-0226  
Fax (09) 633-0228



ISO 9001: 2008

International Standards  
Certifications  
QAC/R64/0012

### Product Overview:

The Pertronic Indicating Heat Detector is a stylish NZS 4512:2010 and NZS4512:2003 compliant fixed temperature heat detector with remote LED output terminals.

Available in two temperature ranges - Blue: 57°C and Yellow: 77°C

- ▶ Fast response, fixed temperature Fire Alarm Heat Detector.
- ▶ Protected against false activation caused by vibration or other transient impulses.
- ▶ Complies fully with NZS4512:2010/NZS4512:2003.
- ▶ Terminals accept up to 1.5mm<sup>2</sup> cable.
- ▶ Bi-directional circuit connection terminals.
  - either of the 'Red' terminals may be connected to the fire panel.
- ▶ Vertically mounted PCB with protective cover for improved resistance against condensation and water damage.
- ▶ Red LED indication: the LED latches ON when the thermo-mechanical sensor element activates.
  - De-powering the heat detector resets the LED.
- ▶ Alarm condition clamps the circuit voltage to 2.2V.
- ▶ Integral reverse polarity yellow LED for easy detection of wiring faults.
- ▶ Reverse polarity connection causes "Hi Defect" fault warning on Pertronic panels.
- ▶ The Remote LED (DETREM) is compatible with System Sensor detector remote outputs



**IHDBR-V  
(Front View)**



**IHDBR-V  
(Rear View)**



**DETREM  
(Remote LED indicator)**

### Specifications:

<b>Electrical:</b>	<b>Operating Voltage</b> 12 to 24Vdc	<b>Quiescent Current</b> 0.01mA	<b>Alarm Current</b> - panel must limit to less than 25mA	
<b>Environmental:</b>	<b>Operating Temperature Range</b> 0 to +80°C		<b>Humidity</b> 10 to 95% RH (non-condensing)	
<b>Mechanical:</b>	<b>Dimensions (Diameter x Height mm)</b>	<b>Weight</b>	<b>Material :</b>	<b>Colour:</b>
- Heat Detector	66 x 36	50gms	Polycarbonate	White
- Remote LED	65 x 5	10gms		

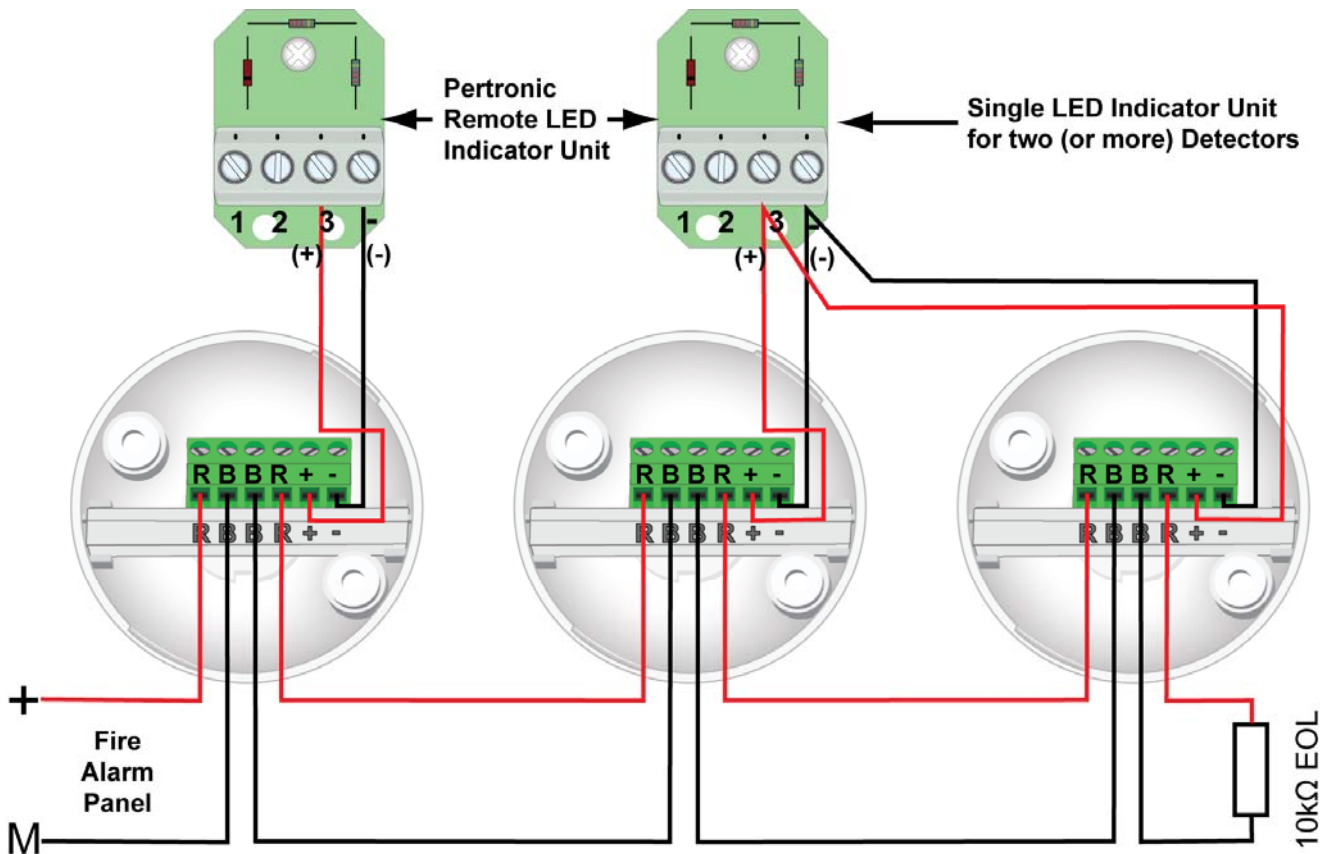
### Operation:

- ▶ The Remote LED Indicator Unit latches ON when the thermo-mechanical sensor element activates.

#### IMPORTANT NOTES

- 1) Only the Pertronic Remote LED Indicating Detector supports the Pertronic Remote LED Indicator DETREM Unit.
- 2) The standard Indicating Heat Detector does NOT support the Remote LED Indicator DETREM Unit.

**Remote Indicator Heat Detector Connections:**



**Compatibility:**

Indicating Heat Detectors are compatible with the following products:

Product	Detector Hardware Version	Panel Software Version	Release Date
F1	v2.6 & above	v2.3 & above	November 2003
F1-2W	v2.6 & above	v9.04 & above	March 2007
F4	v2.6 & above	v2.26 & above	November 2003
F4-2W	v2.6 & above	v9.0 & above	March 2007
F16	v2.6 & above	v7.0 & above	November 2003
F16e	v2.6 & above	v1.10N & above	June 2004
Loop Responder	v2.6 & above	v3.00N & above	May 2004
Apartment Module	v2.6 & above	V1.0 & above	November 2006

**Product Codes:**

NZS Code	Description	NZFPA Listing No
IHDBR-V	Remote LED Indicating Heat Detector, Blue : 57°C	PI/240
IHDYR-V	Remote LED Indicating Heat Detector, Yellow : 77°C	PI/241
DETREM	Remote LED Indicating Unit	

Registered Design No.413539

**PERTRONIC INDUSTRIES LTD**

**Head Office:**

17 Eastern Hutt Rd, Wingate, Lower Hutt  
Tel (04) 567-3229 Fax (04) 567-3644

www.pertronic.co.nz  
sales@pertronic.co.nz  
tech@pertronic.co.nz

**Auckland Office:**

359 Onehunga Mall, Onehunga, Auckland  
Tel (09) 633-0226 Fax (09) 633-0228

'Pertronic' and 'Firetronix' are registered trademarks of Pertronic Industries Ltd